

POR/1

SWRES/4

+3V

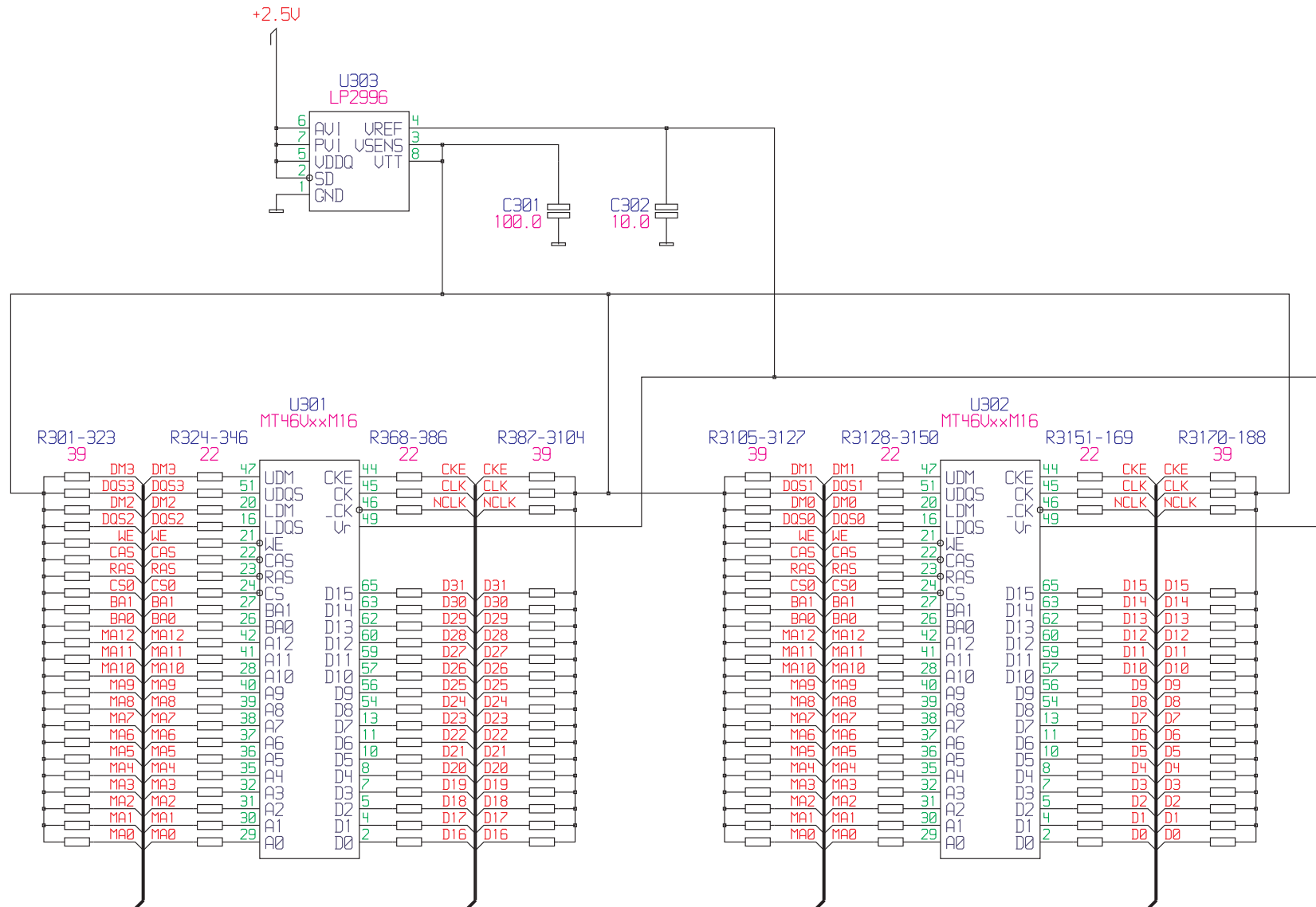
+3Vps

SDWN/1

+3V

MEM/3

MUXED/any



MEM/2

